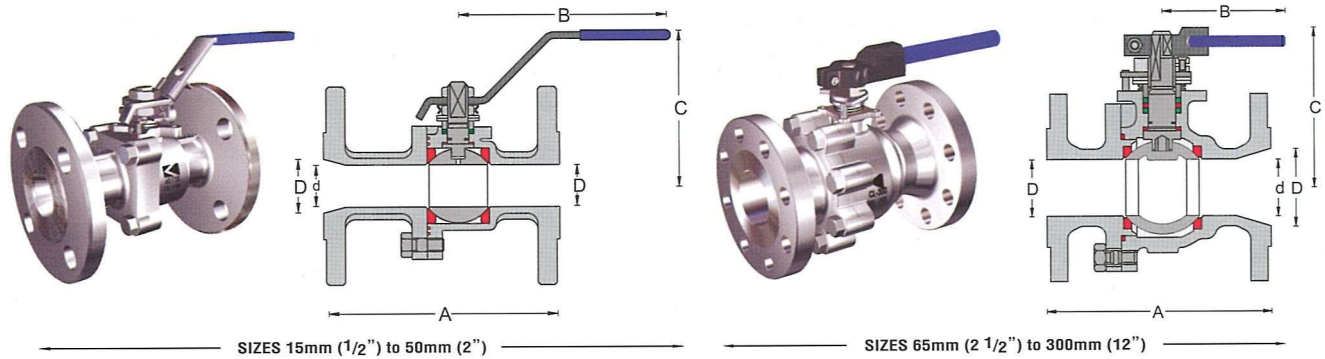




**FLOATING BALL VALVE
TWO PIECE,
REDUCED & FULL BORE**

TWO PIECE, REDUCED & FULL BORE



DESIGN STD : BS EN ISO 17292 (BS 5351) TESTING STD : EN 12266-1

Test Pressure in bar (psi)

Pressure rating	Class 150	Class 300	Class 600	Class 900	Class 1500
Hyd. Shell	30 (435)	76 (1102)	155 (2248)	236 (3422)	392 (5684)
Seat	REFER TECHNICAL DATA				
Air Seat	6.9 (100)				

SERIES

'K'R2 / 'K'F2 (Class 150)
'K'R2 / 'K'F2 (Class 300)

APPLICATIONS

- ▶ Chemical Process Plants
- ▶ Fertilizer Plants
- ▶ Dyes and Pigments
- ▶ Pesticides
- ▶ Caustic Chlorine Plants
- ▶ Hazardous Fluids
- ▶ Acids and Alkalies
- ▶ GAS

RB = REDUCED BORE

FB = FULL BORE

Dimensions are in mm (inch)

SIZE mm (inch)	A				C	d	D	Wt 1)									
	Class							Class 150		Class 300		Class 600		Class 900		Class 1500	
	150	300	600	900 & 1500		RB	RB & FB	RB	FB	RB	FB	RB	FB	RB	FB	RB	FB
15 (1/2)	108 (4.3)	140 (5.5)	165 (6.5)	216 (8.5)	80 (3.1)	-	13 (0.5)	1.2 (2.6)	1.3 (3.0)	1.9 (4.2)	2.1 (4.6)	3.2 (7.1)	3.3 (7.3)	4.6 (10.1)	4.9 (10.8)	5.0 (11.0)	6.0 (13.2)
20 (3/4)	117 (4.6)	152 (6.0)	190 (7.5)	229 (9.0)	85 (3.3)	13 (0.5)	20 (0.8)	1.6 (3.5)	2.0 (4.4)	2.9 (6.4)	3.2 (7.1)	4.8 (10.6)	5.0 (11.0)	6.5 (14.3)	7.1 (15.7)	7.5 (16.5)	9.5 (20.9)
25 (1)	127 (5.0)	165 (6.5)	216 (8.5)	254 (10.0)	90 (3.5)	20 (0.8)	25 (1.0)	2.3 (5.1)	2.7 (6.0)	3.9 (8.6)	4.3 (9.5)	6.5 (14.3)	6.7 (14.8)	8.8 (19.4)	13.0 (28.7)	10.0 (22.0)	14.0 (30.9)
32 (1 1/4)	140 (5.5)	178 (7.0)	229 (9.0)	280 (11.0)	105 (4.1)	25 (1.0)	32 (1.3)	3.4 (7.5)	3.8 (8.4)	5.2 (11.5)	5.8 (12.8)	8.4 (18.5)	9.0 (19.8)	12.5 (27.6)	21.0 (46.3)	16.0 (35.3)	23.0 (50.7)
40 (1 1/2)	165 (6.5)	190 (7.5)	241 (9.5)	305 (12.0)	110 (4.3)	32 (1.3)	38 (1.5)	4.8 (10.6)	5.0 (11.0)	7.5 (16.5)	8.1 (18.0)	13.0 (28.7)	14.0 (30.9)	20.0 (44.1)	28.0 (61.7)	23.0 (50.7)	29.0 (63.9)
50 (2)	178 (7.0)	216 (8.5)	292 (11.5)	368 (14.5)	135 (5.3)	38 (1.5)	50 (2.0)	6.8 (15.0)	8.2 (18.1)	9.3 (20.5)	10.8 (23.8)	16.0 (35.3)	21.0 (46.3)	27.0 (59.5)	31.0 (68.3)	32.0 (70.5)	-
65 (2 1/2)	190 (7.5)	241 (9.5)	330 (13.0)	419 (16.5)	155 (6.1)	50 (2.0)	64 (2.5)	10.5 (23.1)	15.5 (34.1)	13.5 (29.8)	21.5 (47.4)	25.0 (55.1)	30.0 (66.1)	40.0 (88.2)	50.0 (110.2)	-	-
80 (3)	203 (8.0)	283 (11.1)	356 (14.0)	-	170 (6.7)	58 (2.3)	76 (3.0)	16.5 (36.0)	18.5 (40.8)	24.5 (54.0)	30.0 (66.1)	33.0 (72.8)	38.0 (83.8)	-	-	-	-
100 (4)	229 (9.0)	305 (12.0)	432 (17.0)	-	205 (8.1)	76 (3.0)	98 (3.9)	24.0 (53.0)	32.0 (70.5)	40.0 (88.2)	50.0 (110.0)	65.0 (143.3)	90.0 (198.4)	-	-	-	-
125 (5)	254 (10)	381 (15)	-	-	226 (8.9)	127 (5.0)	98 (3.9)	33.0 (72.7)	50.0 (110.2)	-	98.0 (216.0)	-	-	-	-	-	-
150 (6)	267 (10.5)	403 (15.9)	559 (22.0)	-	★	98 (3.9)	152 (6.0)	40.0 (88.0)	58.0 (128.0)	68.0 (150.0)	139.0 (306.0)	85.0 (187.4)	-	-	-	-	-
200 (8)	292 (11.5)	419 (16.5)	-	-	★	144 (5.7)	203 (8.0)	73.0 (161.0)	95.0 (209.0)	152.0 (335.0)	226.0 (278.0)	-	-	-	-	-	-
250 (10)	330 (13.0)	457 (18.0)	-	-	★	187 (7.4)	250 (9.8)	122.0 (269.0)	153.0 (337.0)	194.0 (428.0)	275.0 (606.0)	-	-	-	-	-	-
300 (12)	356/610 ² (14/24 ²)	502 (19.8)	-	-	★	228 (9.0)	300 (11.8)	146.0 (322.0)	290.0 (638.0)	271.0 (597.0)	-	-	-	-	-	-	-

Materials

Body / End piece	Carbon Steel ASTM A216 Gr. WCB / Stainless Steel ASTM A351 Gr. CF8 / CF8M / CF3 / CF3M / CN7M / Duplex
Ball / Stem	Stainless Steel ASTM A217 Gr. CA15 / ASTM A351 Gr. CF8 / CF8M / CN7M / ASTM A276 Type 410 / 304 / 316 / Duplex
Seat	PTFE / CFT / GFT / DELRIN / NYLON / PEEK / TFM / METAL
Stem Washer	GFT / Grafoil
Stem Seal / Body Seal	Grafoil
Lever	Steel
Body Studs / Nuts	ASTM A193 Gr. B7/ ASTM A194 Gr. 2H
Surface Protection for Carbon	Base Phosphating. Additional External Coating : Smoke Grey Synthetic Enamel
Steel Valves	

1) Nett in Kg. (lbs) approx. (without obligation) 2) Dimension 'A' For FB. ★ Worm Gear operated. ▶ For dimensions 'B' refer sales drgs. ▶ Valves can be supplied to suit ASME / BS / DIN Flanges. ▶ Valves can be supplied with Pad - lock, Electric, Pneumatic or Gear Actuators and accessories like Limit Switch, Solenoid Valve, Air Filter Regulator etc. ▶ Actuator Bracket Mounting as per ISO 5211. ▶ Please Specify Working Pressure, Temperature & Service conditions. ▶ Other materials not mentioned above available on request.

TECHNICAL DATA

Cv VALUE

SIZE mm (inch)	10 (3/8)	15 (1/2)	20 (3/4)	25 (1)	32 (1 1/4)	40 (1 1/2)	50 (2)	65 (2 1/2)	80 (3)	100 (4)	125 (5)	150 (6)	200 (8)	250 (10)	300 (12)
RB	8	10	15	35	58	91	115	272	303	542	780	970	2300	3375	5538
FB	8	20	42	88	142	210	396	615	1099	2171	3500	5200	9418	15170	24900

BREAK AWAY TORQUE VALUE FOR SOFT SEATED Nm (ft. lbs.)

SIZE mm (inch)	10 (3/8)	15 (1/2)	20 (3/4)	25 (1)	32 (1 1/4)	40 (1 1/2)	50 (2)	65 (2 1/2)	80 (3)	100 (4)	125 (5)	150 (6)	200 (8)	250 (10)	300 (12)	
20 (290)	RB	3.0 (2.2)	3.0 (2.2)	3.0 (2.2)	5.5 (4.0)	11.0 (8.1)	13.0 (9.6)	18.5 (13.6)	33.0 (24.4)	46.0 (33.9)	81.0 (59.8)	120.0 (88.5)	166.0 (122.5)	350.0 (258.3)	540.0 (398.5)	945.0 (697.4)
	FB	3.0 (2.2)	3.0 (2.2)	6.0 (4.4)	7.5 (5.5)	14.0 (10.3)	18.5 (13.6)	31.0 (22.8)	58.0 (42.8)	83.0 (61.3)	141.0 (104.1)	152.0 (112.0)	324.0 (239.1)	540.0 (398.5)	945.0 (697.4)	2340.0 (1727.0)
50 (725)	RB	3.5 (2.6)	3.5 (2.6)	3.5 (2.6)	7.5 (5.5)	13.0 (9.6)	14.0 (10.3)	22.0 (16.2)	59.0 (43.5)	79.0 (58.3)	107.0 (78.9)	147.0 (108.4)	166.5 (122.5)	570.0 (420.6)	980.0 (723.2)	-
	FB	3.5 (2.6)	3.5 (2.6)	7.5 (5.5)	10.5 (7.7)	19.5 (14.4)	22.0 (16.2)	46.0 (33.9)	87.0 (64.2)	109.0 (80.4)	167.0 (123.2)	440.0 (324.5)	490.0 (361.6)	970.0 (715.8)	-	-
70 (1102)	RB	6.0 (4.4)	6.0 (4.4)	6.0 (4.4)	10.0 (7.4)	-	-	-	-	-	-	-	-	-	-	-
	FB	7.0 (5.2)	7.0 (5.2)	11.0 (8.1)	-	-	-	-	-	-	-	-	-	-	-	-

■ FOR RE-INFORCED PTFE SEAT MULTIPLY ABOVE VALUES BY 1.2, FOR METAL SEAT BY 2.25 & PEEK SEAT BY 2.5

HYDRO TEST PRESSURE IN Kg/Cm² (psi)

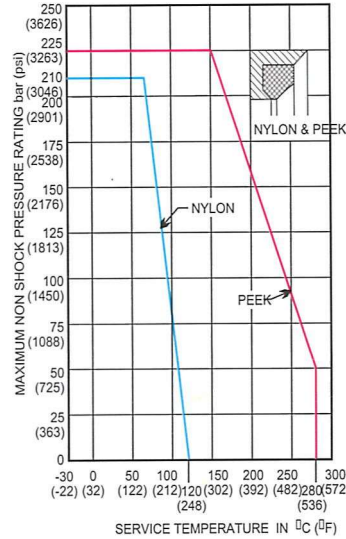
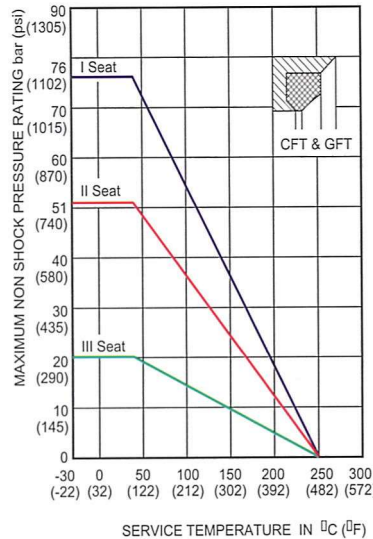
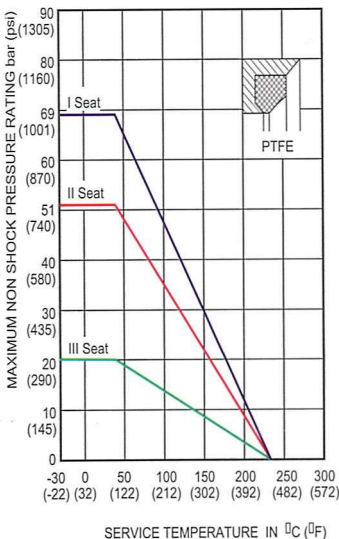
EN 12266 -1

SIZE mm (inch)	I	Materials*				III	I, II & III Class 600 & 800	
		Class 150	Class 300	Class 150	Class 300			
8 (1/4)	TO 50 (2)	23 (327)	59 (839)	22 (313)	57 (811)	18 (256)	48 (683)	69*/76**
65 (2 1/2)	TO 100 (4)	23 (327)	51 (725)	22 (313)	51 (725)	18 (256)	48 (683)	51 (725)
125 (6)	TO 300 (12)	20 (285)	20 (285)	20 (285)	20 (285)	18 (256)	20 (285)	20 (285)

- Materials
- I) WCB, WC6, WC9, LCC
- II) CF3, CF8, CF3M, CF8M, CF8C, LCB
- III) CN7M

■ For API 6D Valves, Testing shall be carried out at full rated pressure. ★ PTFE ★★ RPTFE

PRESSURE TEMPERATURE RATING



Seat Symbol	Nominal Valve Size PTFE, CFT & GFT
I	8 (1/4) To 50 (2)
II	65 (2 1/2) To 100 (4)
III	125 (5) To 300 (12)

FEATURES

- Fire Safe :
 - API 6FA - III Edition
 - API 607 - V Edition
- Anti Static
- Anti Blow Out Stem
- Fugitive Emission
- Cavity Pressure Relief
- Pressure Temperature Rating : ASME B16.34
- Compliant To API 608 Also



KHIMJI FLOW EQUIPMENTS PVT. LTD.

Khimji Flow Equipments Private Limited.
Block NO. 67/E 67/F, Tarihal Revadihal Road,
Revadihal Village Hubli - 580 026.
E : info@kfel.com, W : www.kfel.com